

Hard Shifting Issue

Model RT400

I- The shifting issue

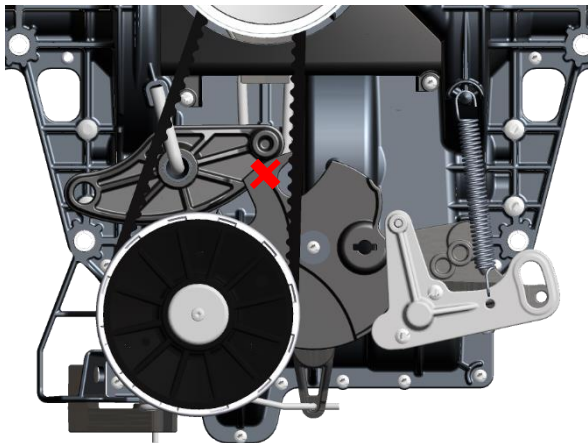
The shifting issue is when the Forward/Reverse selector is stuck in position and the driver is not able to select a forward or reverse position.

II- Causes

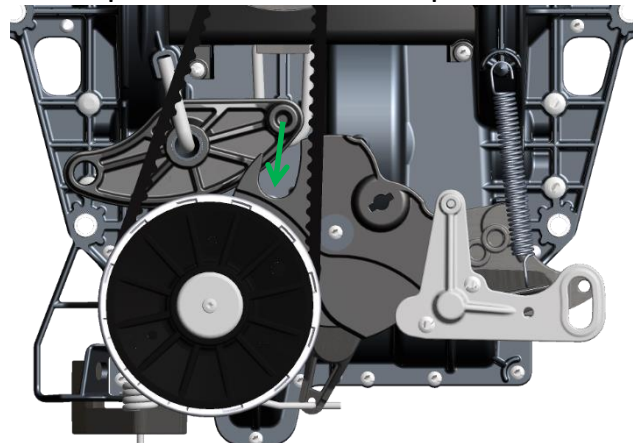
To be able to shift, the speed lever must be out of the shift cam. The main causes of the speed lever being stuck inside the shift cam are:

- Debris preventing the speed lever from going back to the released position.
- Debris preventing the primary pulley to fully open to the released position.
- A hard point on the pedal pivot preventing the pedal to go back to the released position.
- A broken inversion lever or a transmission internal issue.

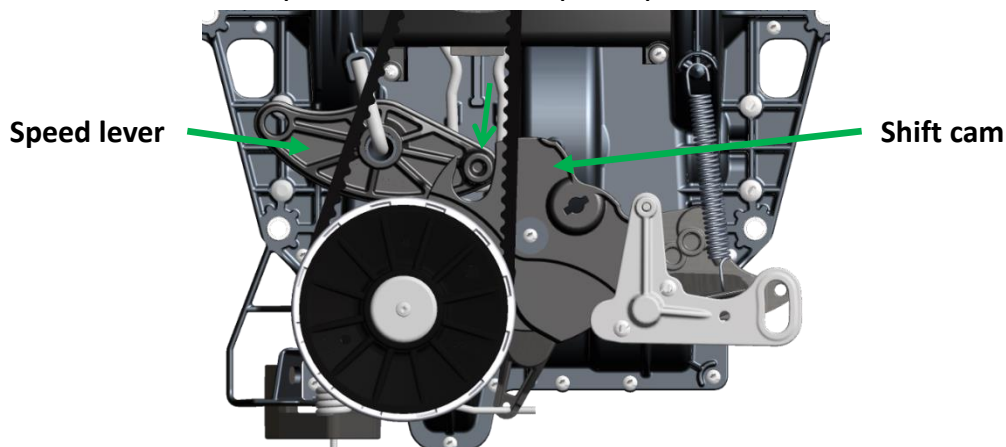
Shift cam in Neutral position
Speed lever in release position



Shift cam in Forward position
Speed lever in release position



Shift cam in Forward position
Speed lever in full speed position



III- Debris preventing the speed lever to go back to the released position

When a piece of debris prevents the speed lever from moving out, the shift cam cannot rotate.



IV- Debris preventing the primary pulley to fully open to the released position.

When debris prevents the primary pulley from fully opening, the speed lever stays engaged and the shift cam cannot rotate.



V- A broken inversion lever.

